

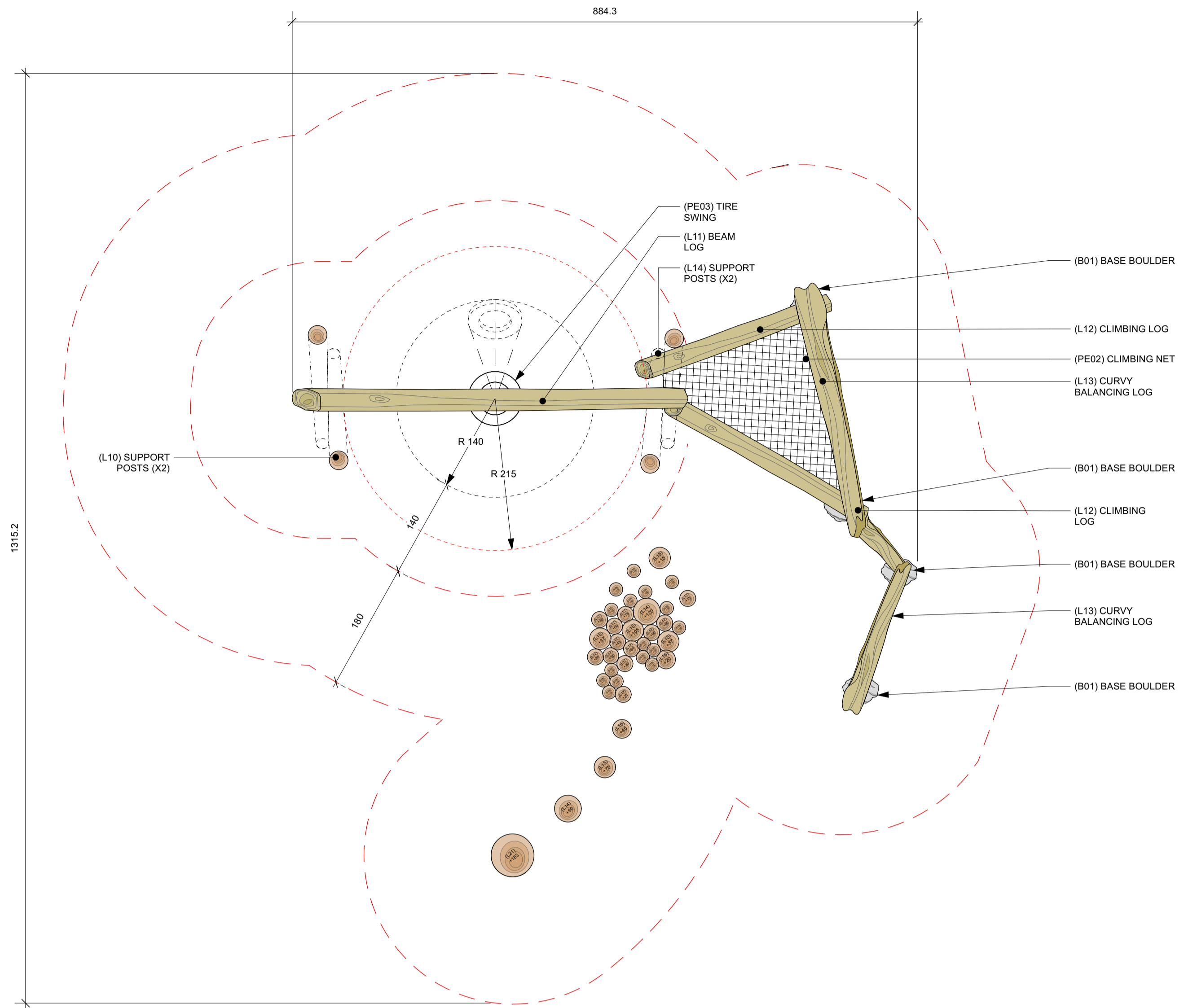
01		
02		
03		
04		
05		
06		
07		
08		
09		
10		
11		
12		
13		
14		
15		
16		
17		
18		
19		
20		
21		
22		
23		
24		
25		
26		
27		
28		
29		
30		
31		
32		
33		
34		
35		
36		
37		
38		
39		
40		
41		
42		
43		
44		
45		
46		
47		
48		
49		
50		

project title
Spuzzum Adventure Trail
Spuzzum, BC

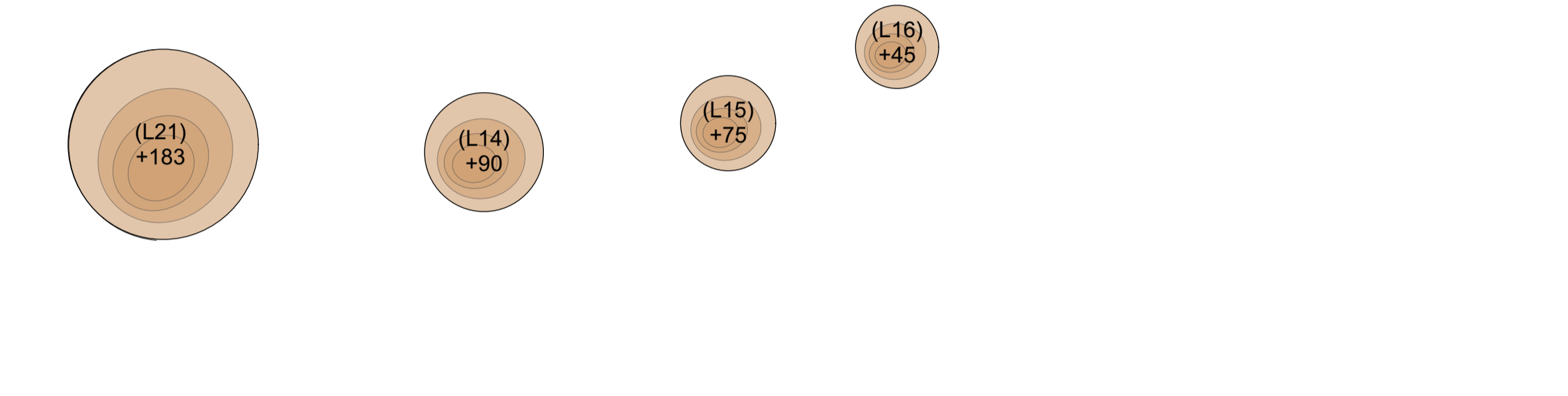
drawing title
1.0 DIS. THE SEASONS/2.0 AUTUMN
DESIGN DETAILS

drawn by: SE
designed by: SE
approved by: _____
phase: Exhibit Final Design Details
project date: 31 January 2022
project no: 22-1634
drawing no.

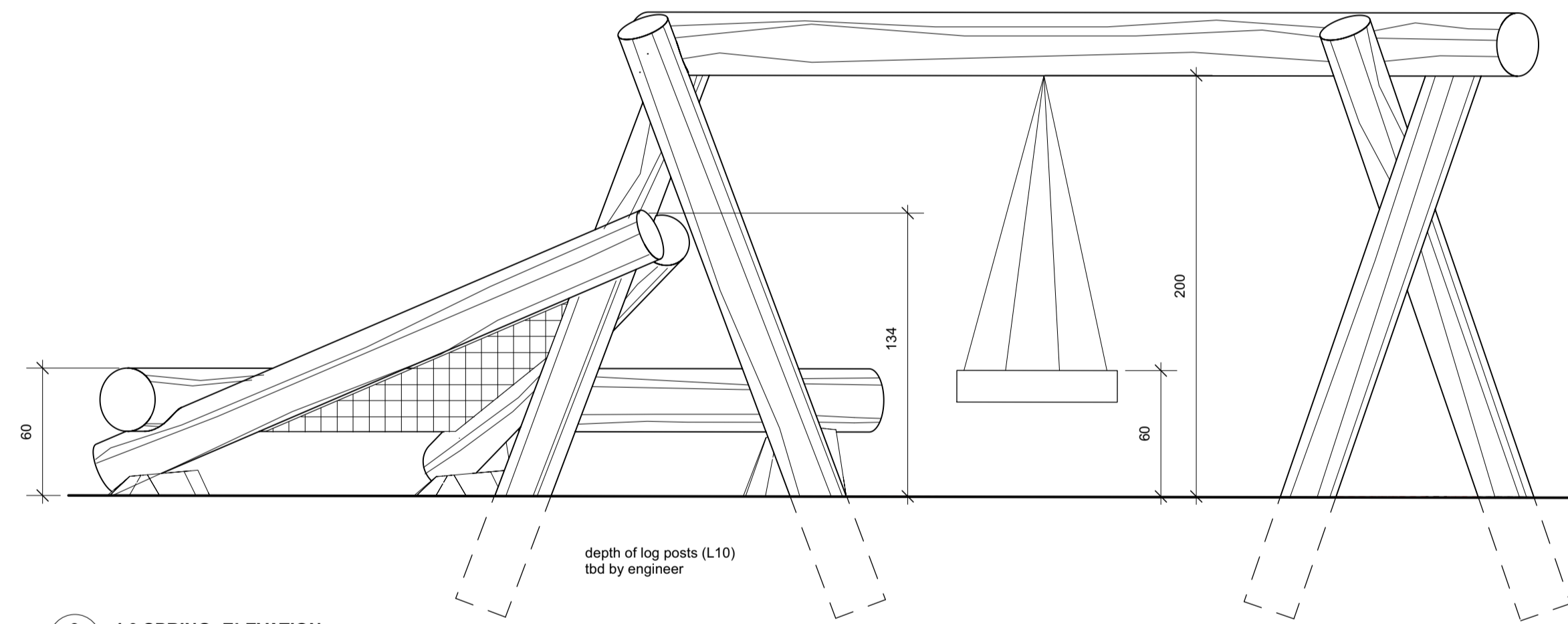
General Notes:



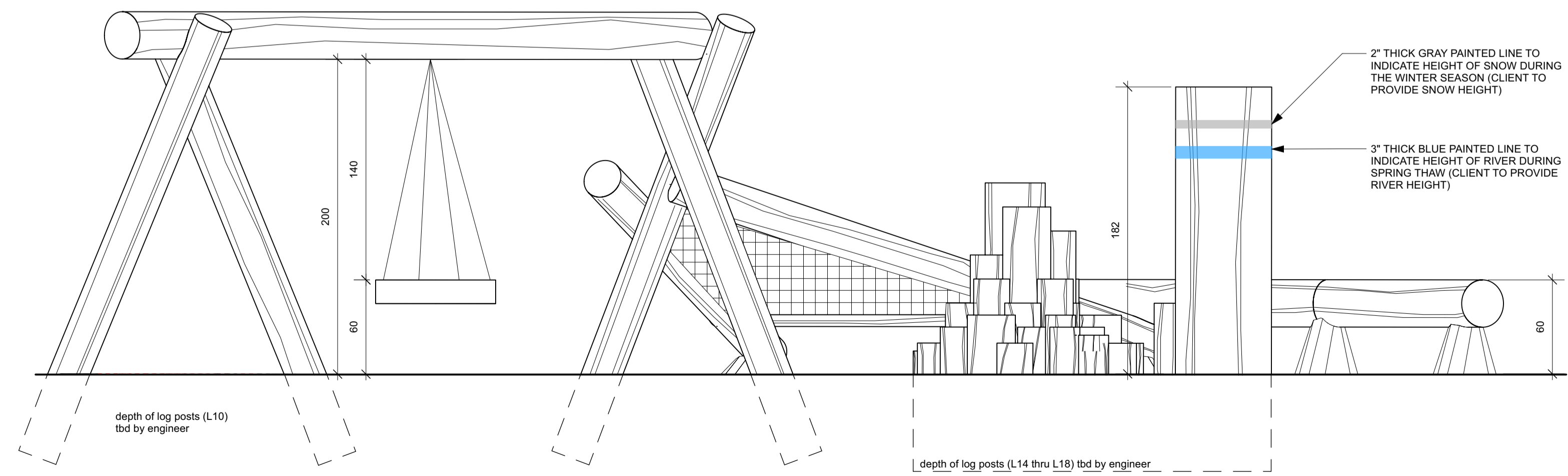
1 4.0 SPRING: PLAN
Scale: 1:48



2 3.0 SPRING: LOG JUMP
Scale: 1:16



3 4.0 SPRING: ELEVATION
Scale: 1:24



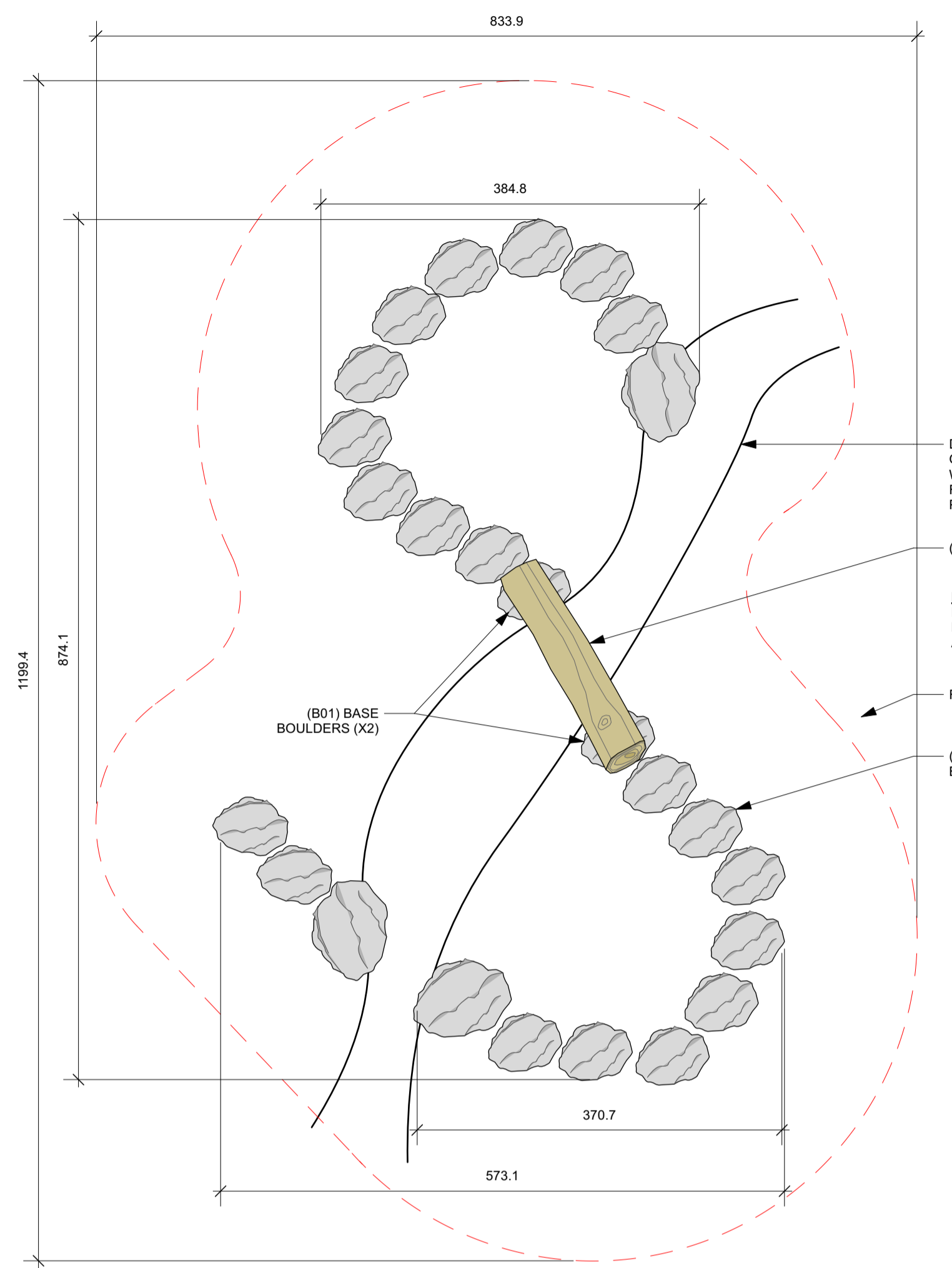
4 4.0 SPRING: ELEVATION
Scale: 1:24

05			
04			
03			
02			
01			
00			

project title
SPUZZUM
Adventure Trail
Spuzzum, BC

drawing title
4.0 SPRING
DESIGN DETAILS

drawn by SE
designed by SE
approved by
phase Exhibit Final Design Details
project date 31 January 2022
project no. 22-1634
drawing no.



DRY STREAM BED. CLEAR OF UNDER GROWTH. LINE W/ 20 year LANDSCAPE FABRIC AND FINISH WITH PEA GRAVEL.

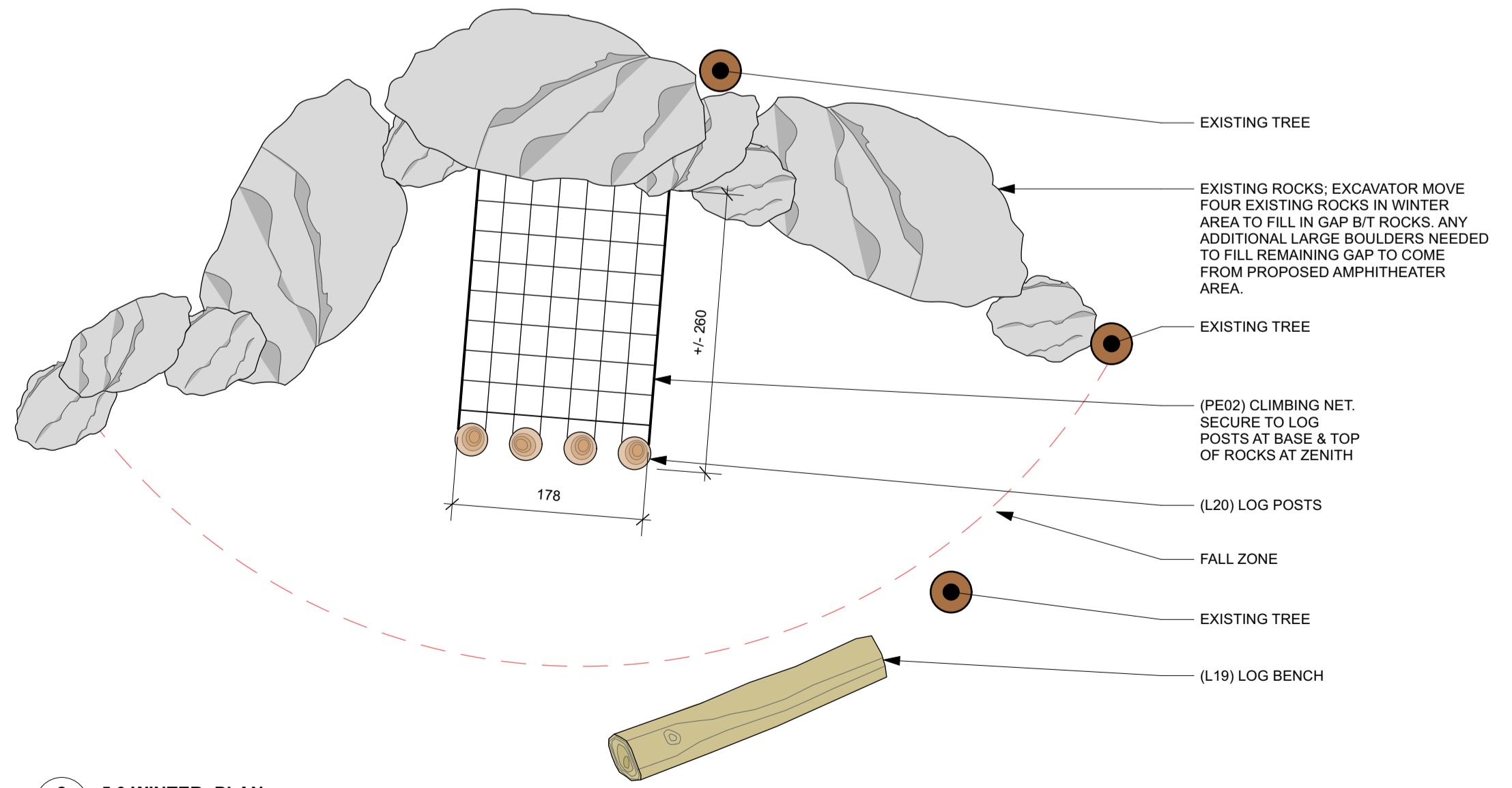
(L08) BALANCING LOG

NOTE: PLACE STEPPING BOULDERS +/-5 cm APART

FALL ZONE

(B02) STEPPING BOULDERS

1
X04 **3.0 SUMMER: PLAN**
Scale: 1:48



EXISTING TREE

EXISTING ROCKS. EXCAVATOR MOVE FOUR EXISTING ROCKS IN WINTER AREA TO FILL IN GAP BUT ROCKS. ANY ADDITIONAL LARGE BOULDERS NEEDED TO FILL REMAINING GAP TO COME FROM PROPOSED AMPHITHEATER AREA.

EXISTING TREE

(PE02) CLIMBING NET. SECURE TO LOG POSTS AT BASE & TOP OF ROCKS AT ZENITH

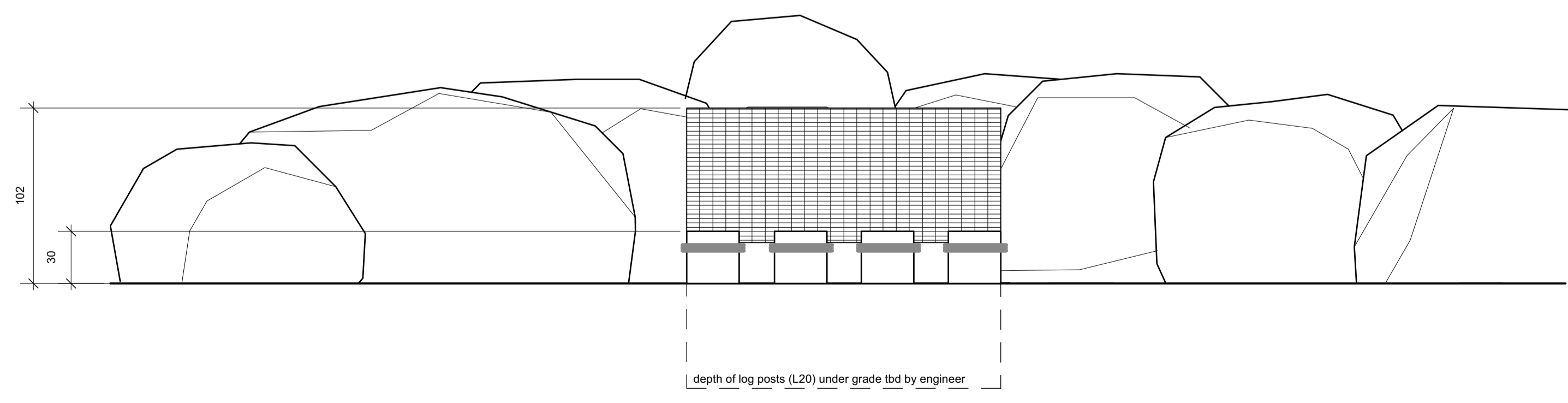
(L20) LOG POSTS

FALL ZONE

EXISTING TREE

(L19) LOG BENCH

2
X04 **5.0 WINTER: PLAN**
Scale: 1:48



3
X04 **5.0 WINTER: ELEVATION**
Scale: 1:24

01		
02		
03		
04		
05		
06		
07		
08		
09		
10		
11		
12		
13		
14		
15		
16		
17		
18		
19		
20		
21		
22		
23		
24		
25		
26		
27		
28		
29		
30		
31		
32		
33		
34		
35		
36		
37		
38		
39		
40		
41		
42		
43		
44		
45		
46		
47		
48		
49		
50		

project title
Spuzzum Adventure Trail
Spuzzum, BC

drawing title
3.0 SUMMER/5.0 WINTER
DESIGN DETAILS

drawn by SE
designed by SE
approved by
phase Exhibit Final Design Details
project date 31 January 2022
project no. 22-1634
drawing no.